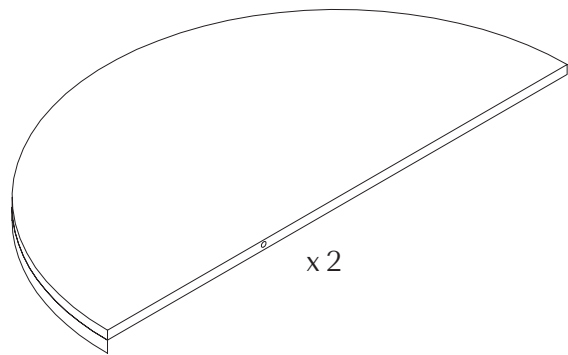


H&M HOME



x2



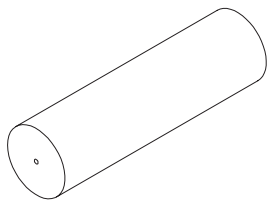
x4



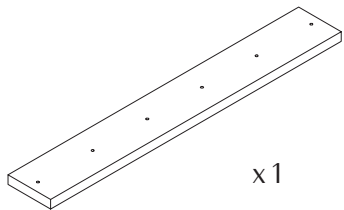
x18



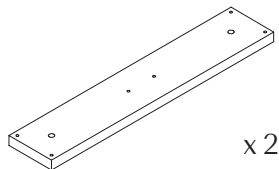
x18



x4



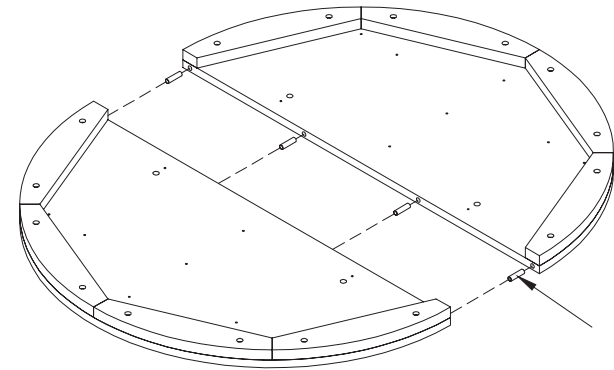
x1



x2

---

1



---

2

